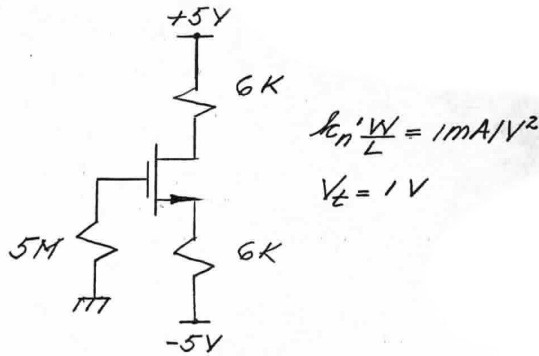


EE 311

Quiz 7 (10pts)
October 18, 2013

Name _____
ID _____



1. For the circuit shown above:

a) Write a "circuit" equation which relates I_D to V_{GS} .

4pts
(3pts)

b) Write a "device" equation which relates I_D to V_{GS} , assuming saturation.

(3pts)

c) Write the quadratic equation, in terms of V_{GS} , which results from solving a) and b) above.

(3pts)